

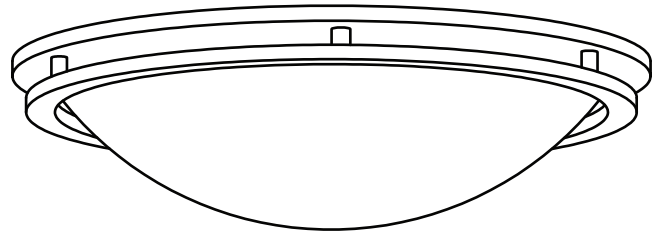


INSTALLATION INSTRUCTIONS

IMPORTANT

Before assembling your access lighting fixture, please make sure that you carefully read through these instruction sheets. Consider having your fixture installed by a qualified licensed electrician.

NOTE: The important safeguards and instructions that appear in this manual are not meant to cover all possible conditions and situations that may occur. It must be understood that common sense, caution and care, are factors that can't be built into any product. These factors must be supplied by the person(s) caring for and operating the fixture.

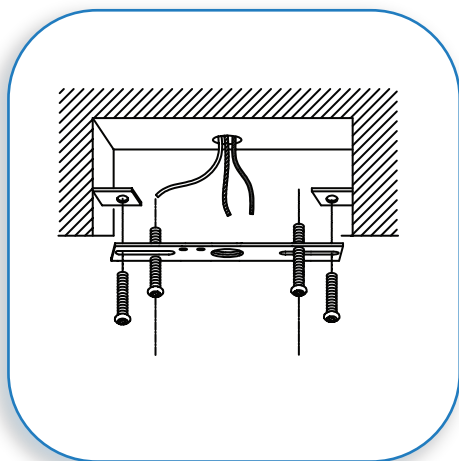


GENERAL INFORMATION

All electrical connections must be in accordance with all ordinances, Local and National Electrical Codes. These fixtures are intended for mounting to a standard 4" x 2 1/2" metal octagon outlet box. The box must be directly supported by the building structure and U.L. Recognized.

STEP BY STEP INSTRUCTIONS

Before starting your installation disconnect the Power by turning off the Circuit Breaker or by removing the fuse at the fuse box. Just turning the light off at the light switch is not sufficient to prevent electrical shock.



COLLECTION

APPLICATION

Ceiling Fixture

MODEL NO.

20457

WHAT WE PROVIDE

- Crossbar
- Mounting Hardware
- Back Plate
- Fixture
- 1 x Glass Shade

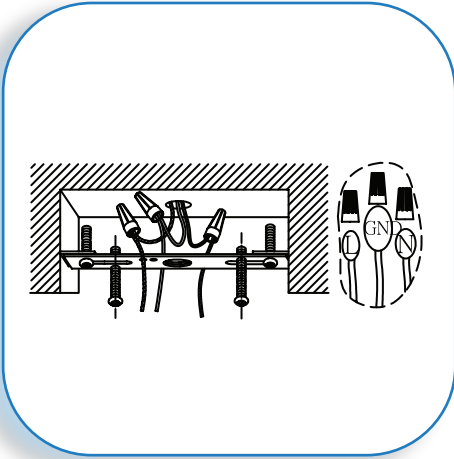
WHAT YOU NEED

- Screwdriver
- Wire Cutters
- Wiring Supplies as Specified by Electrical Code
- 3 x 13W/GU24

MOUNT CROSSBAR

1

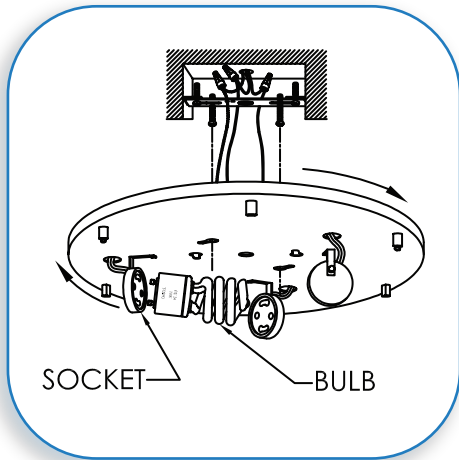
If there is an existing fixture remove it. Expose the supply wires from the j-box. Lay the fixture on a soft surface, remove all the packaging material from inside the shade and under the lamps. Mount the crossbar to the j-box with the supplied short screws ensuring that the longer screws face downward. Gently pull the wires through the center hole in the crossbar.



2

CONNECT THE WIRES

Gently pull the supply wires. Connect the black supply wire to the black fixture wire. Secure with the supplied wire nuts. Connect the white supply wires to the white Fixture wire. Secure with the supplied wire nuts. Either wrap the green wire around one the protruding screw or connect it to the supply ground wire. Secure all wire with U.L Certified electrical tape (not supplied). Tuck all wires carefully into the J-box.



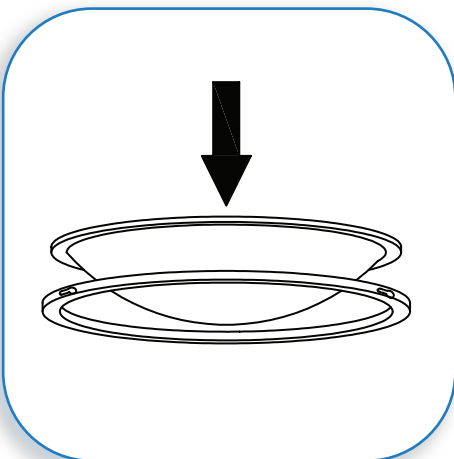
3

MOUNT THE BACK PLATE-INSERT BULBS

Align the holes in the back plate with the protruding screws from the crossbar. Insert the screws through the holes in the back plate and secure with the supplied thumb nuts. Insert the bulbs.

MAXIMUM WATTAGE 13W.

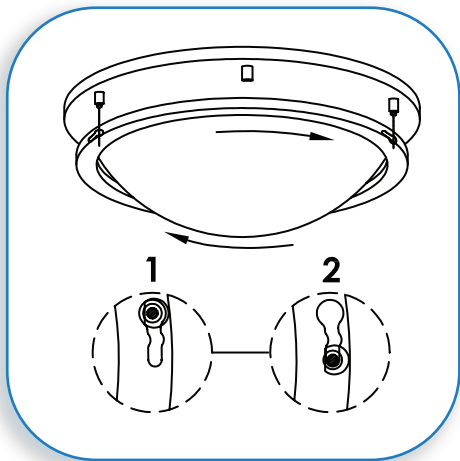
DO NOT EXCEED THE RECOMMENDED WATTAGE AS STATED ON THE WARNING LABEL AND INSTRUCTION SHEETS.



4

INSERT GLASS SHADE

Insert the glass shade into the metal ring.

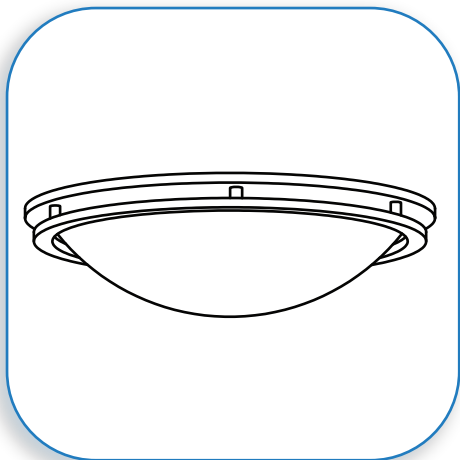


5

SECURE METAL RING TO BACK PLATE

Hold the metal ring with glass shade up to the back plate. Align the finials hanging down from the back plate with the key holes located in the metal ring. Insert the finial head into the large end of the key hole (1) and then rotate the ring to ensure that the head is secured in the narrow end of the key hole (2).

ENSURE THAT ALL 3 HEADS ARE SECURED IN THE KEYHOLES.



6

RESTORE THE ELECTRICITY AND CHECK THE OPERATION OF YOUR NEW ACCESS FIXTURE

CAUTION

Please ensure that the fitting is cool and switched off before replacing the bulb. DO NOT use bulbs that might exceed the maximum wattage, stated on caution label.